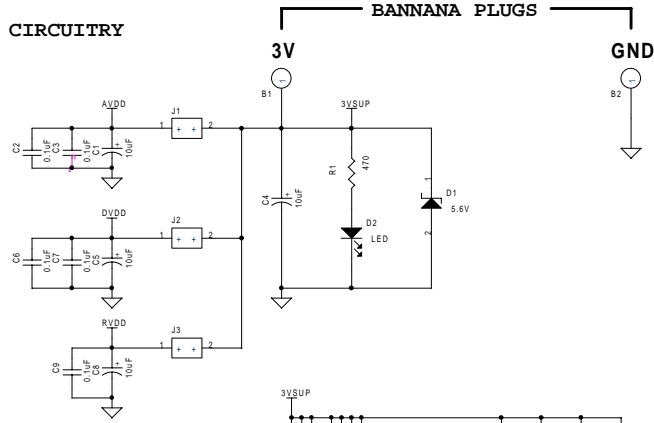
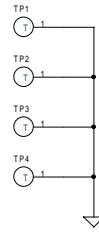


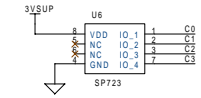
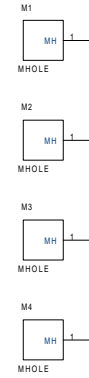
POWER CIRCUITRY



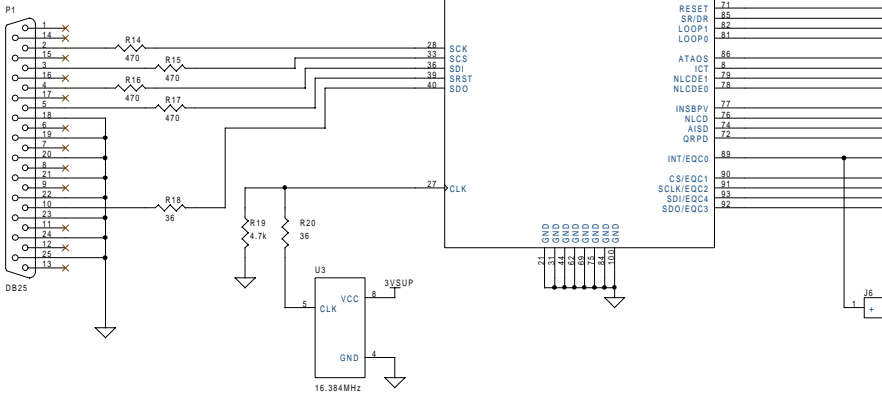
GROUND POINTS



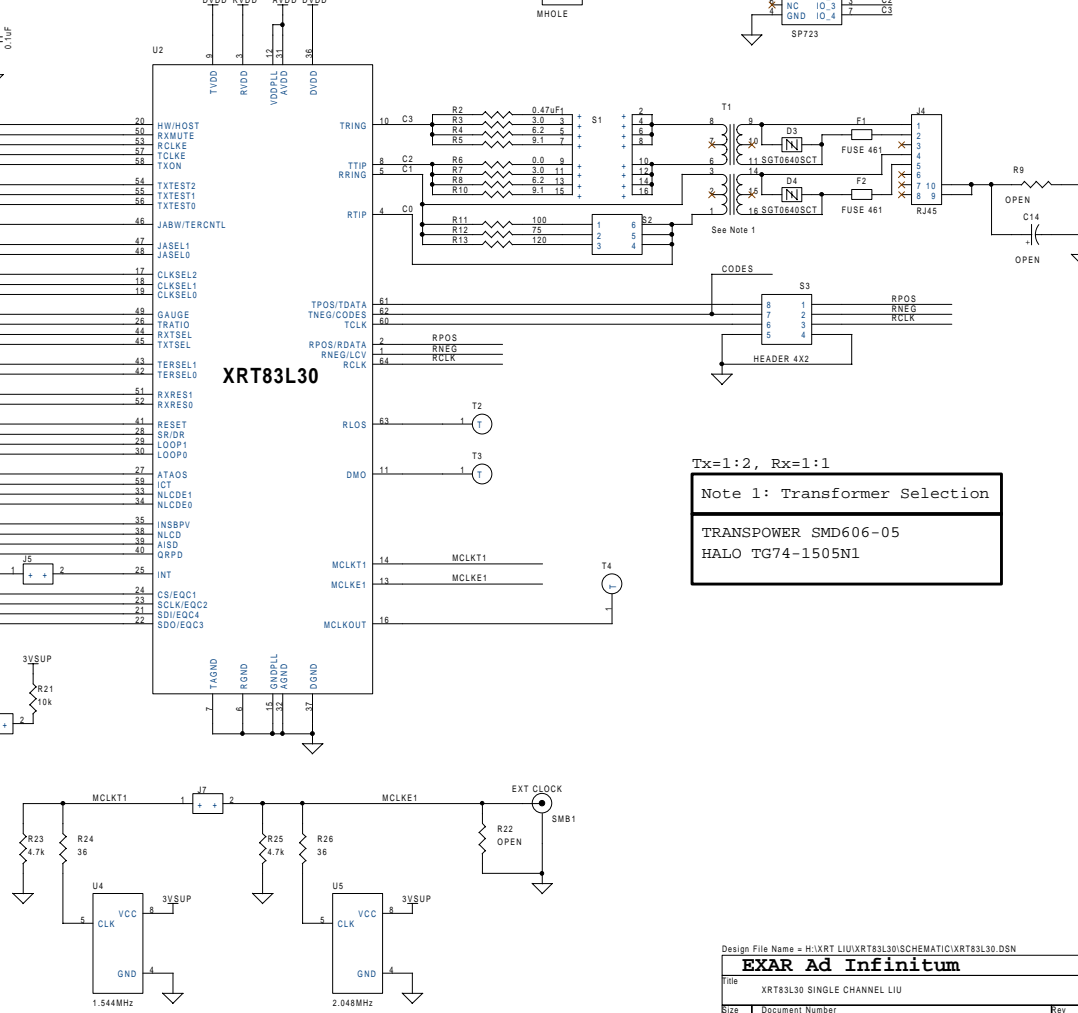
MOUNTING HOLES



XC9572XL-100TQFP



XRT83L30



Tx=1:2, Rx=1:1
Note 1: Transformer Selection
 TRANSPOWER SMD606-05
 HALO TG74-1505N1